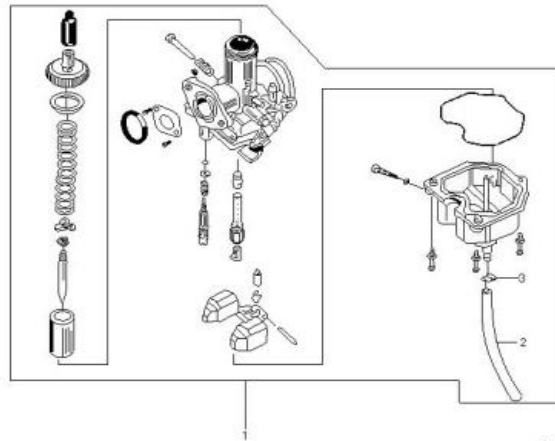


NO.	PART NO.	DESCRIPTION	QTY
1	2.8105E+12	ENGINE ASSY. E-START-50cc	1



CARBURETOR			
NO.	PART NO.	DESCRIPTION	QTY
1	1400300010001	Carburetor	1
2	0901000020010	carburetor hose	1
3	0704500010101	Hose Clamp	1



化油器  
CARBURETOR

ELECTRIC			
NO.	PART NO.	DESCRIPTION	QTY
1	1100300010010	RECTIFIER RAQUALATOR	1
2	1100100010010	Coil	1
3	1100400010010	CDI Unit	1
4	1100700010010	Key Ignition Switch	1
5	1100600020010	CABLE,BATTERY	1
6	1100803070001	HARNESS	1
7	1100200010010	STANTER SOLENOID	1
8	1100500010001	START SWITCH ASSY(E-START)	1
9	1100806020001	CABLE,BATTERY	1
10	1100807010001	FUSE HOLDER	1

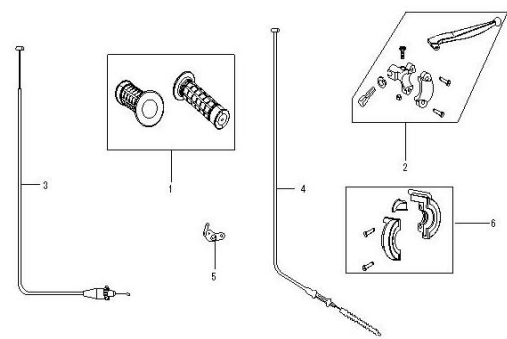
电零件  
ELECTRIC

PEDAL CONTROLLER			
NO.	PART NO.	DESCRIPTION	QTY
1	2020701010001	Starter Lever(Steel)	1
2	2020702010001	Gear Lever	1
3	0701900230311	Foot Brake Lever	1
5	0820103011501	WASHER	1
6	0801901020101	SPLIT PIN	1

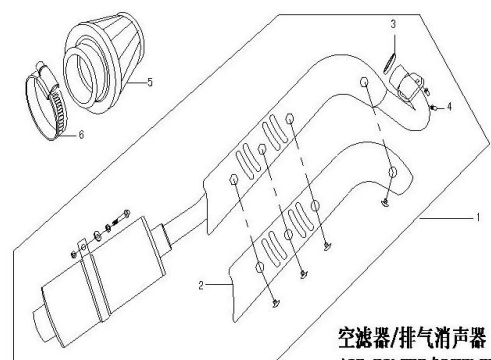
脚踏操纵件  
PEDAL CONTROLLEI

HANDLE CONTROLLER			
NO.	PART NO.	DESCRIPTION	QTY
1	0900100070010	GRIP ASSY.	1
2	1402201010510	front brake right grip	1
3	1400900350001	Throttle Cable	1
4	1402100010001	front brake cable	1
5	0701400010311	bracket of front brake cable	1
6	0100500010510	Throttle Housing	1

手把操纵件  
HANDLE CONTROLLER

AIR FILTER/MUFFLER			
NO.	PART NO.	DESCRIPTION	QTY
1	0700700010201	Exhaust Assy.	1
2	1401910020001	The Protector for Exhaust Pipe	1
3	1500400050001	Exhaust Pipe Seal (Copper)	1
4	0800501011501	Triple Clamp Top Nut	2
5	1400500040001	Air Filter Assembly	1
6	1400501010101	air cleaner hoop	1

空滤器/排气消声器  
AIR FILTER/MUFFLER

FUEL TANK/FUEL COCK			
NO.	PART NO.	DESCRIPTION	QTY
1	1001000140010	Fuel Tank	1
2	1001100010010	Fuel Cap	1
3	0901000040010	carburetor hose	1
4	0704500010101	Hose Clamp	4
5	0901000040010	carburetor hose	1
6	1001800010001	Fuel Filter	1

**油箱/油开关**  
**FUEL TANK/FUEL COCK**

FR.DAMPER			
NO.	PART NO.	DESCRIPTION	QTY
1	1401200010009	Front Forks(M12Axes)	1

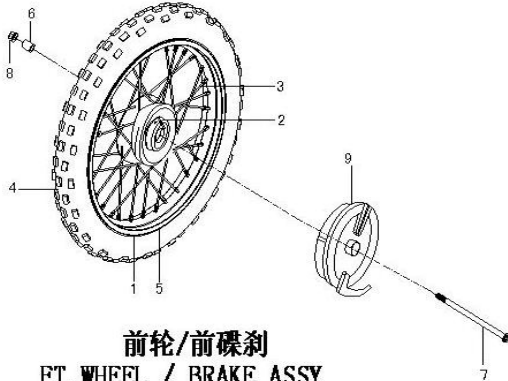
  

**前减震**  
**FR. DAMPER**

SEAT / PLASTICS			
NO.	PART NO.	DESCRIPTION	QTY
1	1000200010010	L.& R.Plastic For Gas tank	1
2	1000300010010	L.And R.Side Plastic for back	1
3	1000400010010	Front Number Plate	1
5	1001501010010	Front Fender	1
6	1000800040010	Rear Fender	1
1	1000200010002	L.& R.Plastic For Gas tank	1
2	1000300010010	L.And R.Side Plastic for back -red bike	1
3	1000400010010	Front Number Plate -red bike	1
5	1001501010002	Front Fender -red bike	1
6	1000800040002	Rear Fender -red bike	1
1	1000200010006	L.& R.Plastic For Gas tank -blue bike	1
2	1000300010010	L.And R.Side Plastic for back -blue bike	1
3	1000400010010	Front Number Plate -blue bike	1
5	1001501010006	Front Fender -blue bike	1
6	1000800040006	Rear Fender -blue bike	1
1	1000200010005	L.& R.Plastic For Gas tank -green bike	1
2	1000300010010	L.And R.Side Plastic for back -green bike	1
3	1000400010010	Front Number Plate-green bike	1
5	1001501010005	Front Fender-green bike	1
6	1000800040005	Rear Fender -green bike	1
1	1000200010004	L.& R.Plastic For Gas tank -yellow bike	1
2	1000300010010	L.And R.Side Plastic for back -yellow bike	1
3	1000400010010	Front Number Plate -yellow bike	1
5	1001501010004	Front Fender -yellow bike	1
6	1000800040004	Rear Fender -yellow bike	1
1	1000200010008	L.& R.Plastic For Gas tank -white bike	1
2	1000300010008	L.And R.Side Plastic for back -white bike	1
3	1000400010008	Front Number Plate -white bike	1
5	1001501010008	Front Fender -white bike	1
6	1000800040008	Rear Fender -white bike	1
1	1000200010003	L.& R.Plastic For Gas tank -orange bike	1
2	1000300010010	L.And R.Side Plastic for back -orange bike	1
3	1000400010010	Front Number Plate-orange bike	1
5	1001501010003	Front Fender-orange bike	1
6	1000800040003	Rear Fender -orange bike	1
4	1001200010010	Seat	1
7	1002700010002	sticker-red (for white/red/black bike)	1
	1002700010006	sticker-blue	1
	1002700010005	sticker-green	1
	1002700010004	sticker-yellow	1
	1002700010003	sticker-orange	1

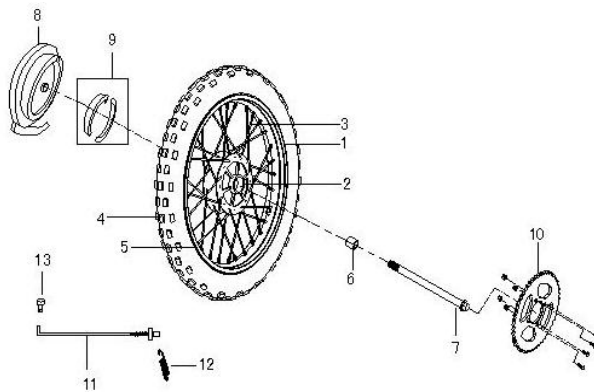
车体盖  
SEAT / PLASTICS

FR.WHEEL/FR. BRAKE ASSY			
NO.	PART NO.	DESCRIPTION	QTY
1	0901201010010	Inner Tire	1
2	0704801080001	Front Wheel Hub(Fe)	1
3	1806201010101	The Spoke for Front Wheel(Iron,Drum Brake)	32
4	0901100030010	Tyre	1
5	0901103010010	Tyre protective band	1
6	0703904180107	Spacer	1
7	0703902110107	Front Axle	1
8	0803701040107	RETAINING NUT	1
9	1402001010001	front hub cover	1

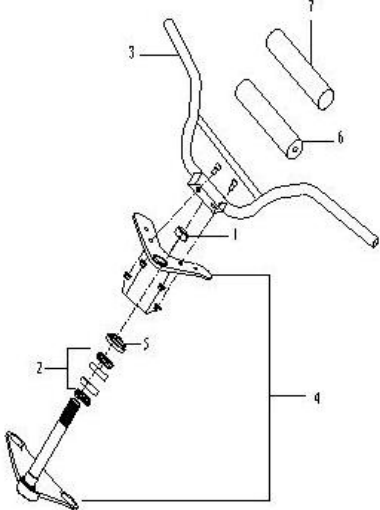
**前轮/前碟刹**  
**FT. WHEEL / BRAKE ASSY**

RR.WHEEL/RR. BRAKE ASSY.			
NO.	PART NO.	DESCRIPTION	QTY
1	0901201010010	Inner Tire	1
2	0704802010001	Rear Wheel Hub(Fe) M12	1
3	1806301010101	The Spoke for Rear Wheel(Steel,Disc Brake)	32
4	0901100030010	Tyre	1
5	0901103010010	Tyre protective band	1
6	0703904570107	Spacer	1
7	0703902130107	Front Axle	1
8	1402002030001	rear hub cover	1
9	1402003010001	hub brack pads	1
10	0701800010101	Rear Wheel Sprocket(Fe)	1
11	0704600030101	REAR BRAKE LEVER	1
12	0803202020107	spring for rear brake lever	1



后轮/后制动器  
RR. WHEEL/RR. BRAKE ASSY.

HANDLE BAR/STEERING STEM			
NO.	PART NO.	DESCRIPTION	QTY
1	0702100010201	Steering Stem Nut	1
2	0804500010001	SIX PARTS ASSY, FOR STEERING PARTS	1 set
3	0700900010411	Handle Bar with Cross Bar	1
4	0704101010311	Triple Clamp (Top)	1
5	0701100010101	Steering Stem Nut	1
6	1500500090001	Cross Bar Cushion Foam	1
8	1002016040002	Cushion Foam Cover-red (for white/red/black bike)	1
9	1002016040006	Cushion Foam Cover-blue	1
10	1002016040005	Cushion Foam Cover-green	1
11	1002016040004	Cushion Foam Cover-yellow	1
12	1002016040003	Cushion Foam Cover-orange	1

方向把/方向柱  
 HANDLE BAR/STEERING STEM



RR.SWINGARM/FRAME			
NO.	PART NO.	DESCRIPTION	QTY
1	0700200010311	Rear Swing Arm	1
2	0703500010111	Rear Wheel Adjuster	1 set
3	0703901110107	Swing Arm Bolt	1
4	0820101011501	WASHER	2
5	1002400010001	trigonal piece	1
6	1401203200010	Rear Shock	1
7	0700100560311	Frame	1
8	0701700050001	Chain	1
9	1002300050010	Chain Guard	1

后叉/车架  
RR. SWINGARM/FRAME

FOOT PEGS / SIDE STAND			
NO.	PART NO.	DESCRIPTION	QTY
1	0701600010311	Kick Stand	1
2	0804401021501	Kick Stand Bolt	1
3	0803202010101	Kick Stand Spring	1
4	0400100010311	Foot Pegs	1 PAIR
5	0710201010107	pin	2
6	0700400010311	Foot Peg Support Brackets	1

脚蹬/侧支架  
FOOT PEG / SIDE STAND ASSY.