

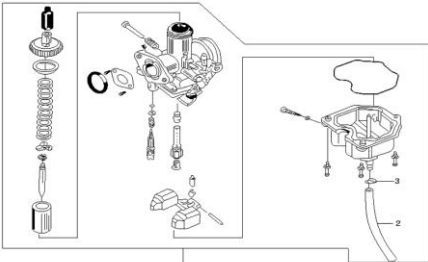
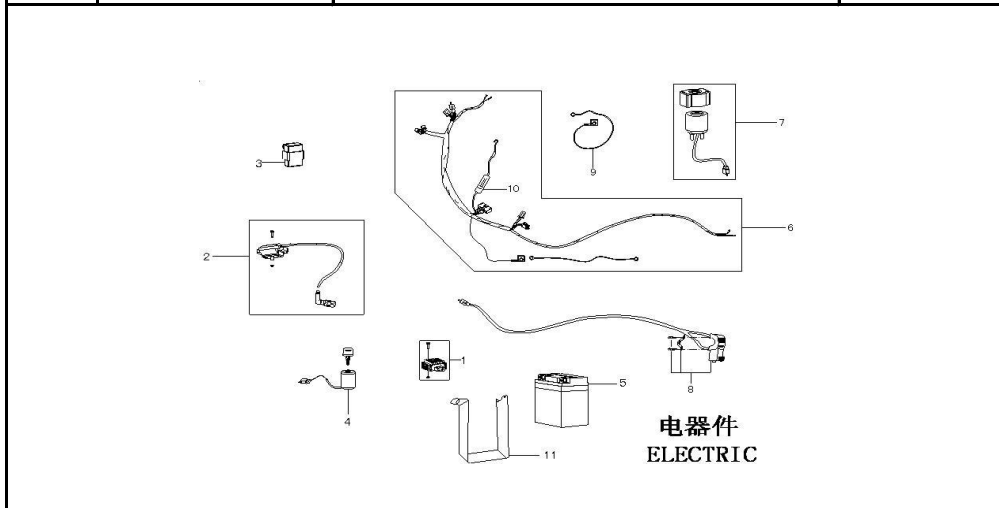


NO.	PART NO.	DESCRIPTION	QTY
			

ENGINE ASSY.			
NO.	PART NO.	DESCRIPTION	QTY
1	2810502001216	ENGINE ASSY. E-START	1
			

CARBURETOR			
NO.	PART NO.	DESCRIPTION	QTY
1	1400300210101	CARBURETOR	1
 <p data-bbox="711 1786 813 1822">化油器 CARBURETOR</p>			

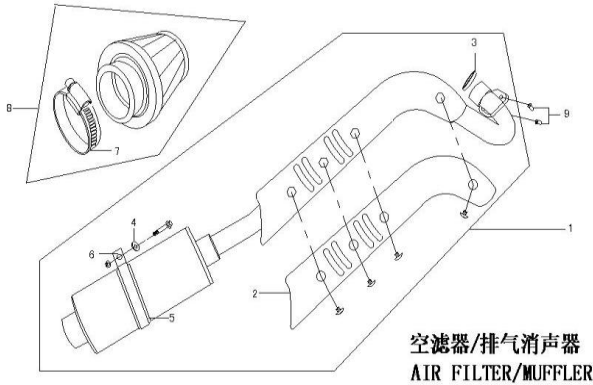
ELECTRIC			
NO.	PART NO.	DESCRIPTION	QTY
1	1100300010010	RECTIFIER RAQUALATOR	1
2	1100100010010	COIL ASSY, IGNITION	1
3	1100400010010	CDI ASSY.	1
4	1100700010010	IGNITION KEY ASSY	1
5	1100600020010	CABLE,BATTERY	1
6	1100803020001	HARNESS	1
7	1100200010010	STANTER SOLENOID	1
8	1100500010001	START SWITCH ASSY(E-START)	1
9	1100806020001	CABLE,BATTERY	1
10	1100807010001	FUSE HOLDER	1
11	0702000010311	BATTERY FIX UP RACK	1



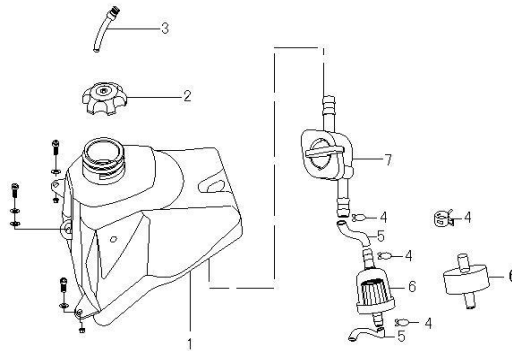
PEDAL CONTROLLER			
NO.	PART NO.	DESCRIPTION	QTY
1	2020701010001	KICK STARTER	1
2	2020702010001	SHIFT PEDAL	1
3	0701900150311	REAR.BRAKE PEDAL	1
4	0803202020107	SPRING	1
5	0820103011501	WASHER	1
6	0801901020101	PIN ϕ 2.5x40	1
7	0801901010101	PIN ϕ 1.5x20	1
8	0400105010311	REAR BRACK LEVER TIP	1

HANDLE CONTROLLER			
NO.	PART NO.	DESCRIPTION	QTY
1	1401000190001	CABLE ASSY, CLUTCH	1
2	0900100090021	GRIP ASSY.	1
3	0100600010510	CLUTCH LEVER ASSY.	1
4	0101200010510	MASTER CYLINDER	1
5	0900400010010	DUST COVER,CLUTCH CABLE	1
6	1400900340001	THROTTLE CABLE	1
6	1400900500001	THROTTLE CABLE	1
7	0500800010501	ADJUST NUT,THROTTLE CABLE	1
8	0100500010510	HOLDER ASSY,THROTTLE	1

AIR FILTER/MUFFLER			
NO.	PART NO.	DESCRIPTION	QTY
1	0700700020201	EXHAUST MUFFLER ASSY.	1
2	1401910020001	EXHAUST SHIELD	1
3	1500400050001	EXHAUST PIPE SEAL	1
4	0820110021501	WASHER ϕ 8x ϕ 16x2	1
5	0900700010010	RUBBER MAT	1
6	0700800020201	HOOP	1
8	1400500060001	AIR FIFTER-double spong	1
9	0800501011501	NUT M16x14	2

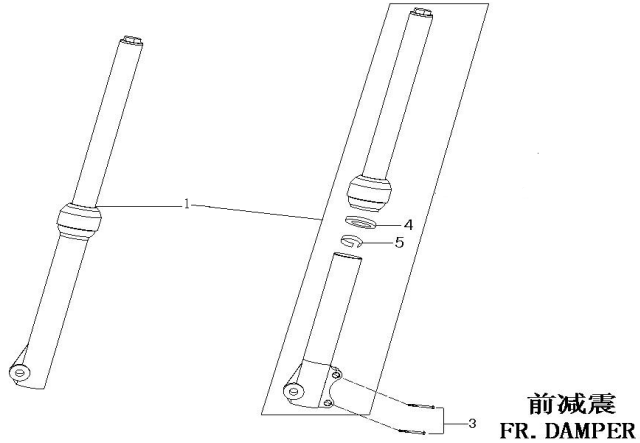


FUEL TANK/FUEL COCK			
NO.	PART NO.	DESCRIPTION	QTY
1	1001000140010	FUEL TANK	1
2	1001100010010	FUEL CAP	1
3	1400600060001	FUEL CAP BREATHER HOSE	1
4	0704500070107	HOSE CLAMP	4
5	0901000040010	FUEL HOSE	1
6	1001800010001	FUEL FILTER	1
7	1400400020001	PET-COCK	1

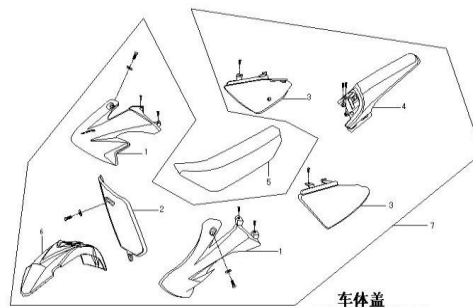


油箱/油开关
FUEL TANK/FUEL COCK

FR.DAMPER			
NO.	PART NO.	DESCRIPTION	QTY
1	1401200020010	ASSY FR.FORK	1
3	0810205221501	BOLT	2
4	1806101010010	OIL SEAL	1
5	1401210020010	RING, STEEL	1

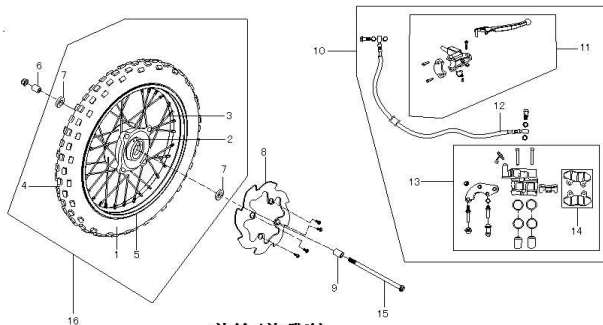


SEAT / PLASTICS			
NO.	PART NO.	DESCRIPTION	QTY
1	1000200010005	L&R.F.SIDE COVER-for green bike	1 PAIR
2	1000400100008	FRONT NUMBER PLATE-for green bike	1
3	1000300010010	L&R.R.SIDE COVER-for green bike	1 PAIR
4	1000800010005	TAIL FENDER-for green bike	1
6	1001501020010	FRONT FENDER-for green bike	1
1	1000200010004	L&R.F.SIDE COVER	1 PAIR
2	1000400100008	FRONT NUMBER PLATE	1
3	1000300010010	L&R.R.SIDE COVER	1 PAIR
4	1000800010004	TAIL FENDER	1
6	1001501020010	FRONT FENDER	1
1	1000200010008	L&R.F.SIDE COVER	1 PAIR
2	1000400100008	FRONT NUMBER PLATE	1
3	1000300010008	L&R.R.SIDE COVER	1 PAIR
4	1000800010008	TAIL FENDER	1
6	1001501020010	FRONT FENDER	1
1	1000200010003	L&R.F.SIDE COVER	1 PAIR
2	1000400100008	FRONT NUMBER PLATE	1
3	1000300010010	L&R.R.SIDE COVER	1 PAIR
4	1000800010003	TAIL FENDER	1
6	1001501020010	FRONT FENDER	1
1	1000200010010	L&R.F.SIDE COVER	1 PAIR
2	1000400100008	FRONT NUMBER PLATE	1
3	1000300010010	L&R.R.SIDE COVER	1 PAIR
4	1000800010010	TAIL FENDER	1
6	1001501020010	FRONT FENDER	1
1	1000200010002	L&R.F.SIDE COVER	1 PAIR
2	1000400100008	FRONT NUMBER PLATE	1
3	1000300010010	L&R.R.SIDE COVER	1 PAIR
4	1000800010002	TAIL FENDER	1
6	1001501020010	FRONT FENDER	1
1	1000200010006	L&R.F.SIDE COVER	1 PAIR
2	1000400100008	FRONT NUMBER PLATE	1
3	1000300010010	L&R.R.SIDE COVER	1 PAIR
4	1000800010006	TAIL FENDER	1
6	1001501020010	FRONT FENDER	1
5	1001200010110	SEAT	1
9	1002700020005	Stickers(whole set) – green bike	1set
9	1002700020004	Stickers(whole set) – yellow bike	1set
9	1002700020002	Stickers(whole set)-red/white/black bike	1set
9	1002700020003	Stickers(whole set)-orange bike	1set
9	1002700020006	Stickers(whole set)-blue bike	1set



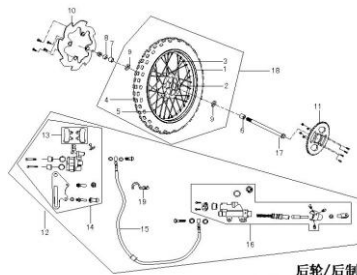
车体盖
SEAT / PLASTICS

FR.WHEEL/FR. BRAKE ASSY.			
NO.	PART NO.	DESCRIPTION	QTY
1	0901201020010	INNER TUBE 14"	1
2	0704801020010	FR.HUB 1.4x14 STEEL	1
3	1806203020101	SPOKE, FR.WHEEL 14"	32
4	0901100050010	FR.TIRE 2.50-14	1
5	0901103030010	INNER TUBE PROTECTOR	1
6	0703904130107	R.COLLAR, FR.WHEEL	1
7	1806205100010	OIL SEAL	2
8	0701301030001	FRONT-BRAKE DISK	1
9	0703904120107	L.COLLAR, FR.WHEEL	1
10	1401501010110	FR.DISK BRAKE ASSY.	1
11	1401513030001	FRONT BRAKE UPPER OIL PUMP(INCLUDE HANDLE)	1
12	0901701010010	FR,BRAKE HOSE	1
13	1402901010001	FR,CALIPER ASSY.	1
14	1401503010009	FR,BRAKE PAD	1
15	0703901120107	FRONT-WHEEL AXLE	1



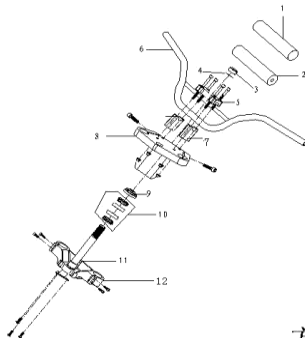
前轮/前碟刹
FR. WHEEL / BRAKE ASSY

RR.WHEEL/RR. BRAKE ASSY.			
NO.	PART NO.	DESCRIPTION	QTY
1	0901201110010	INNER TUBE 12"	1
2	0704802210010	RR.HUB 1.85x12 STEEL	1
3	1806303020101	INNER SPOKE,RR.WHEEL12"	32
4	0901200050010	REAR TIRE 3.00-12	1
5	0901103020010	INNER TUBE PROTECTOR	1
6	0703904140107	SPACER	1
7	0703904070107	SPACER	1
8	0703904080107	SPACER	1
9	1806209020010	OIL SEAL	2
10	0701302020001	REAR-DISC	1
11	0701800050101	REAR SPROCKET	1
12	1401502030110	REAR BRAKE ASSY	1
13	1401503050009	RR.BRAKE PAD SET	1
14	1402902010001	RR,CALIPER ASSY.	1
15	0901702010010	RR.BRAKE HOSE	1
16	1402903020001	RR MASTER CYLINDER ASSY.	1
17	0703903150107	REAR-WHEEL AXLE	1
18	1401701230010	REAR-WHEEL STEEL	1
19	0500300010501	VITTA CLIP WEDGE	1



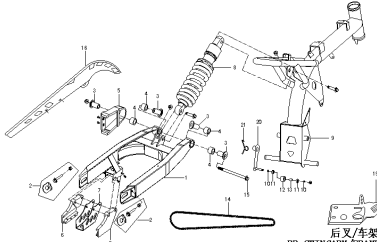
后轮/后制动器
RR. WHEEL/RR. BRAKE ASSY.

HANDLE BAR/STEERING STEM			
NO.	PART NO.	DESCRIPTION	QTY
1	1002016050005	CROSS BAR COVER – green bike	1
1	1002016050004	CROSS BAR COVER-yellow bike	1
1	1002016050002	CROSS BAR COVER-red/white/black bike	1
1	1002016050003	CROSS BAR COVER-orange bike	1
1	1002016050006	CROSS BAR COVER-blue bike	1
2	1500500100001	CROSS BAR FOAM	1
3	0701200010201	NUT STEERING UPPER M22	1
4	0820104011401	WASHER (STEEL)	1
5	0100401010801	HOULDER,HANDLE BAR	2
6	0700900020411	HANDLE BAR	1
7	0100402010801	HOULDER,HANDLE BAR	2
8	0100701010801	UP TRIPLECLAMP	1
9	0701100010101	STEERING STEM LOCK NUT	1
10	0804500010001	BEARING 32005	1 set
11	0701000110107	STEERING STEM ASSY	1
12	0100702060801	LOWER TRIPLECLAMP	1



方向把/方向柱
HANDLE BAR/STEERING STEM

RR.SWINGARM/FRAME			
NO.	PART NO.	DESCRIPTION	QTY
1	0700200060311	REAR SWING ARM ASSY	1
2	0501800060501	REAR WHEEL ADJUSTER	2
3	0703800260107	BUSHING	2
4	0803301020101	NEEDLE BEARING HK1612	2
5	0900500020010	REAR FORK DUST COVER	1
6	1000700020010	LT.CHAIN-GUIDE BRACKET	1
7	1401400020311	CHAIN GUIDE-BRACKET	1
8	1401203040010	REAR SHOCK	1
9	0700100020311	FRAME	1
10	0710111050107	COLLAR	2
11	0803401030101	CHAIN ROLLER BEARING	2
12	1401300020010	CHAIN ROLLER (BOTTOM)	1
13	0710112010107	COLLAR	1
14	0701700070001	CHAIN 428x104	1
15	0703901130107	MIDDLE AXLE BOLT	1
16	1002300040010	CHAIN GUARD	1
19	0703400010710	ENGINE SKLID PLATE (E-START)	1
20	0705508010107	CHAIN ROLLER BRACKET	1
21	0802902010107	TORSING SPRING	1



后叉/车架
RR. SWINGARM/FRAME

FOOT PEGS / SIDE STAND			
NO.	PART NO.	DESCRIPTION	QTY
1	0701600020311	SIDE STAND	1
2	0804401021501	SIDE STAND BOLT M10x25	1
3	0803202020107	SPRING FOR SIDE STAND	1
4	0400100020411	FOOT PEGS	1 PAIR
5	0802901060107	LT.SPRING.FR.FOOTREST	1 PAIR
6	0700400020311	BRACKET FOR PEDAL	1

