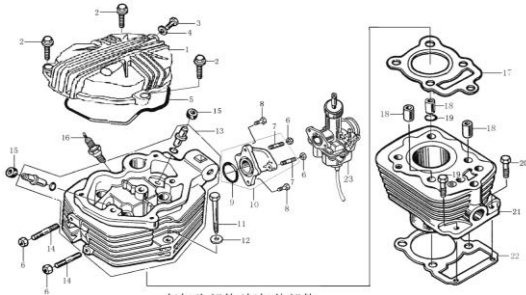


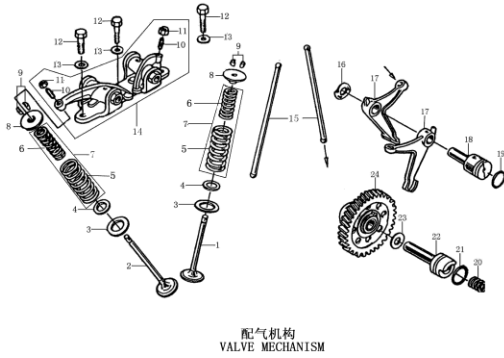
## KRUSHER 250CC



气缸头部件/气缸体部件  
CYLINDER HEAD ASSY/CYLINDER ASSEMBLY

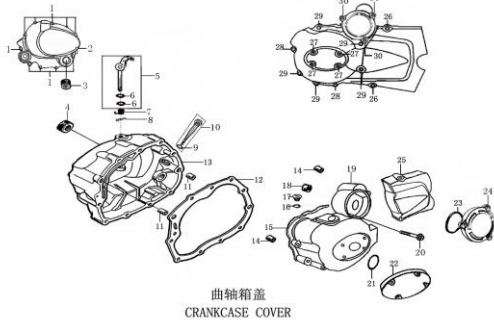
NO.	PART CODE	DESCRIPTION	QTY
1	11226-LA12-000086	UPPER COVER, CYLINDER HEAD	1
2	B057890006002870X	BOLT M6x28	3
3	B057890006001270X	BOLT M6x12	1
4	93301-70651512000	WASHER 6.5x1.5x12	1
5	90103-LA12-0000	SEAL RING OF UPPER COVER,CYLINDER HEAD	1
6	B061700006000090X	NUT 6	4
7	91127-I006-0000	BOLT	2
8	B057830006002070X	BOLT M6x20	2
9	90101-20335000300	O-RING 33.5x3	1
10	15800-L044-0041	INLET PIPE	1
11	91104-MA95-00000X	BOLT M8x86	1
12	93301-80852018000	WASHER 8.5x2x18	1
13	1122B-MA95-010086	CYLINDER HEAD ASSY	1
14	91138-G012-00000X	BOLT M8x36	2
15	1572B-I008-0000	SEAL, VALVE STEM	2
16	81300-I006-0000	SPARK PLUG	1
17	9022B-LA12-0000	GASKET ASSY,CYLINDER HEAD	1
18	91521-10002000000	PIN 10x20	3
19	90101-20100000160	O-RING 10x1.6	1
20	91113-I008-00000X	BOLT M6x22	2
21	1110B-MA95-000086	CYLINDER ASSEMBLY	1
22	90205-LA12-0000	GASKET,CYLINDER BLOCK	1
23	17100-MA76-0002	CARBURETOR	1

## KRUSHER 250CC

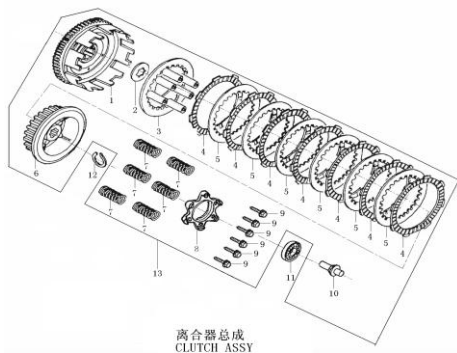


NO.	PART CODE	DESCRIPTION	QTY
1	15701-LA01-0000	INLET VALVE	1
2	15702-LA01-0000	EXHAUST VALVE	1
3	15706-I008-0000	RETAINER, VALVE SPRING	2
4	15708-I008-0000	SPRING SEAT	2
5	15703-I008-0000	VALVE OUTER SPRING	2
6	15704-I008-0000	VALVE INNER SPRING	2
7	15710-I008-0000	INNER SPRING, ASSY	2
8	15705-I008-0000	SPRING SEAT	2
9	15707-I008-0000	VALVE COTTER	4
10	15404-I006-0000	SCREW, VALVE CLEARANCE	2
11	15403-I006-0000	NUT, VALVE CLEARANCE	2
12	91180-IA20-0000	BOLT M8x33	3
13	93301-80852018000	WASHER 8.5x2x18	3
14	1540A-LA12-0100	ROCKER ARM ASSEMBLY, VALVE	1
15	1532A-MA95-0100	PUSH LEVER COMP	2
16	93303-51230220900	WAVE WASHER 12.3x0.2x20.9	1
17	15407-I008-0000	LOWER ROCKER ARM	2
18	15408-LA12-0000	SHAFT, LOWER ROCKER ARM	1
19	90101-20180000250	O-RING 18x2.5	1
20	15109-I008-0000	SPRING	1
21	90101-20200000250	O-RING 20x2.5	1
22	15105-LA12-0000	AIR MLET CAM SHAFT	1
23	93301-51421024000	WASHER 14.2x1x24	1
24	1510A-I008-0000	NG DRIVEN SPROCKET COMP	1

## KRUSHER 250CC

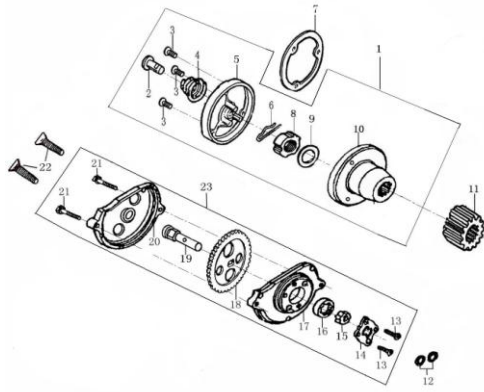


NO.	PART CODE	DESCRIPTION	QTY
1	B166740A06004070X	BOLT M6x40	10
2	B166740A06005070X	BOLT M6x50	1
3	12426-I008-0000	OIL LELVE SIGHT WINDOW	1
4	90304-I006-0000	OIL SEAL 16x28x7	1
5	2242A-I006-03010X	CONTROLLING ARM ASSEMBLY, CLUTCH	1
6	90101-30087000190	O-RING 8.7x1.9	2
7	22427-I006-0000	CLUTCH CONTROLLING ARM SPRING	1
8	B0087901030120000	PIN 3x12	1
9	90101-10180000300	O-RING 18x3	1
10	14301-I006-0000	OIL RULER ASSY	1
11	91521-08001400000	PIN 8x14x6.3	2
12	90206-I008-0000	GASKET, R.CRANKCASE COVER	1
13	12421-I008-140185	COVER COMP. RIGHT CRANKCASE	1
14	91521-10001400000	PIN 10x14	2
15	90204-I008-0000	GASKET, L.CRANKCASE COVER	1
16	90101-10132000265	O-RING 13.2x2.65	1
17	12303-G011-000085	CAP, SMALL VIEW HOLE	1
18	92102-I008-0001	BEARING	1
19	12301-I008-100085	FRONT PART, L.CRANKCASE COVER	1
20	B166740A06002570B	BOLT M6x25	1
21	90101-10274000265	O-RING 27.4x2.65	1
22	12307-I008-10010G	DECORATE COVER ,L.CRANKCASE COVER	1
23	90101-10620000300	O-RING 62x3	1
24	12308-I008-400085	COVER , REDUCTION GEAR	1
25	12302-I008-050085	BACK PART, L.CRANKCASE COVER	1
26	B166740A06002870X	BOLT M6x28	2
27	B008180006001220X	SCREW M6x12	4
28	B166740A06005070X	BOLT M6x50	2
29	B166740A06004070X	BOLT M6x40	5
30	B166740A06002070X	BOLT M6x20	3



NO.	PART CODE	DESCRIPTION	QTY
1	22150-LA73-0100	OUT CASE ASSEMBLY, CLUTCH	1
2	22002-I006-0000	WASHER	1
3	22122-LA73-0000	PRESSURE PLATE, CLUTCH	1
4	22214-LA73-0000	DRIVE FRICTION DISK	7
5	22215-J034-0000	OUTER FRICTION DISK A	6
6	22105-LA73-0100	CENTER SLEEVE, CLUTCH	1
7	22142-LA73-0000	SPRING, CLUTCH	6
8	22121-LA12-0000	END COVER,CLUTCH	1
9	91129-J034-00000B	BOLT M5x20	6
10	22403-I006-0000	PUSHING ROD, CLUTCH	1
11	92102-00000016003	BEARING (16003)	1
12	91403-I008-0000	ELASTIC CHECK RING	1
13	22000-LA73-0906	CLUTCH ASSY	1

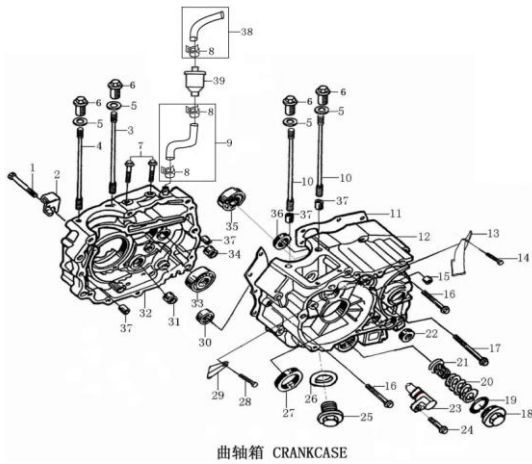
## KRUSHER 250CC



机油泵部件/机油滤清器部件  
OIL PUMP/OIL FILTER

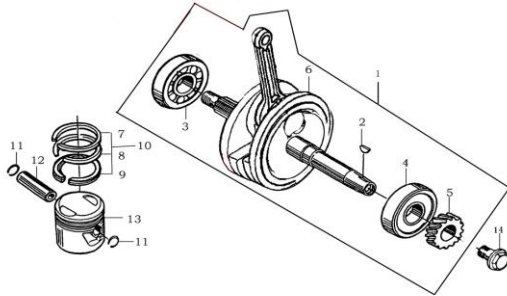
NO.	PART CODE	DESCRIPTION	QTY
1	14200-IA20-0100	ROTOR ASS. OF OIL FILT	1
2	14201-I006-0000	OIL PIPE	1
3	B008190105001220B	SCREW M5x12	3
4	14202-I006-0000	SPRING, OIL PIPE	1
5	14207-IA20-0000W	OIL FILTER COVER	1
6	14208-I006-0000	OPEN PIN	1
7	90209-IA20-0000	GASKET, OIL FILTER	1
8	91203-I006-0000	NUT	1
9	22004-I006-0000	DISH WASHER, CLUTCH	1
10	14203-IA20-0100	OIL FILTER BODY	1
11	23101-I006-0000	PRIMARY DRIVE GEAR	1
12	90101-10094000240	O-RING 9.4x2.4	2
13	B008190104001020B	SCREW M4x10	2
14	14108-L044-0200	OIL PUMP COVER	1
15	14111-L044-0200	INNER ROTOR, OIL PUMP	1
16	14112-L044-0000	OUTER ROTOR, OIL PUMP	1
17	14110-L044-0200	OIL PUMP BODY	1
18	14102-L044-0001	GEAR, OIL PUMP	1
19	14107-L044-0200	SHAFT, OIL PUMP	1
20	14113-L044-0000	OIL PUMP GEAR COVER	1
21	B057820005002070B	BOLT M5x20	2
22	B008190106003020B	SCREW M6x30	2
23	14100-L044-0001	OIL PUMP ASSY	1

## KRUSHER 250CC



NO.	PART CODE	DESCRIPTION	QTY
1	B166740A06005570X	BOLT M6x55	1
2	22422-I006-00010X	HOLDER,CLIUTCH CABLE	1
3	91101-MA95-0000	CYLINDER STUD BOLT A	1
4	91101-LA66-0300	CYLINDER STUD BOLT A	1
5	93301-C125202200B	WASHER 12.5x2x22	4
6	91212-I008-00000C	NUT	4
7	B057890006002870X	BOLT M6x28	2
8	18097-I008-0000	CLAMP	3
9	12130-MA95-0200	PIPE ASSY	1
10	91102-MA95-0200	CYLINDER STUD BOLT B	2
11	90208-LA28-0000	GASKET,CRANKCASE	1
12	1212B-MA95-000085	LEFT CRANKCASE BLOCK	1
13	12103-I008-0000	POSITION PLATE	1
14	B166740A06001270B	BOLT M6x12	1
15	92102-I008-0001	BEARING	1
16	B166740A06005070X	BOLT M6x50	9
17	B166740A06009570X	BOLT M6x95	1
18	11230-I006-00000W	COVER, VALVE CHAMBER	1
19	90101-20350000300	O-RING 35x3	1
20	14221-I006-0000	SPRING,OIL FILTER STRAINER	1
21	1431B-I006-0000	STRAINER,OIL FILTER	1
22	90301-I006-0000	OIL-SEAL 14x28x7	1
23	1213B-MA95-0000	PRESSING PIN BODY ASSY	1
24	B166740A06002570B	BOLT M6x25	1
25	91103-I008-00000X	OIL DRAIN PLUG	1
26	93301-71242020000	WASHER 12.4x2x20	1
27	90302-I008-0000	OIL-SEAL 34x50x7	1
28	B057830006001270B	BOLT M6x12	1
29	15108-I008-0000	STOP PLATE, CAMSHAFT	1
30	92102-0000006202Z	BEARING (6202Z)	1
31	92102-000HK212810	BEARING (HK212810)	1
32	1222B-MA95-000085	RIGHT CRANKCASE BLOCK	1
33	92102-0000006006	BEARING (6006)	1
34	92102-000NK152312	BEARING (NK152312)	1
35	92102-0000006204	BEARING (6204)	1
36	90303-I006-0000	OIL SEAL 20x34x7	1
37	91521-10001400000	PIN 10x14	4
38	12130-ME13-0101	PIPE ASSY	1
39	12162-MA95-0000	OIL AIR FILTER	1

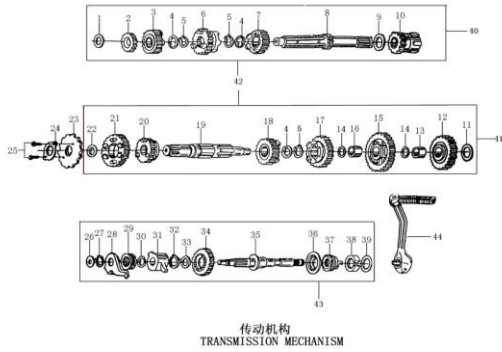
## KRUSHER 250CC



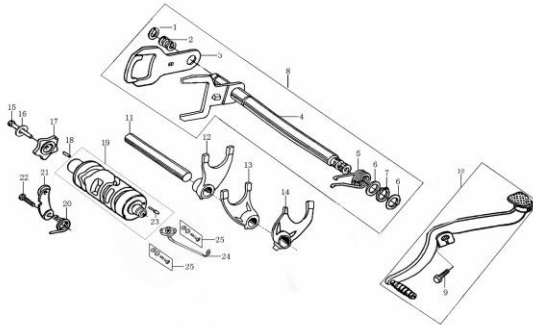
曲轴连杆部件/活塞  
CRANKSHAFT CONNECTING-ROD ASSY/PISTON

NO.	PART CODE	DESCRIPTION	QTY
1	1320B-MA95-0300	CRANKSHAFT CONNECTING-ROD ASSY	1
2	91601-I008-0000	SEMICIRCULAR KEY	1
3	92102-0063-28X1P5	BEARING (63/28X1P5)	1
4	92102-0063-28-1RS	BEARING (63/28-1RS)	1
5	13222-I008-0000	HUB DUMP CHAIN SPROCKET	1
6	13220-MA95-0000	CONNECTING ROD COMP 3	1
7	13103-L067-0000	PISTON RING 1	1
8	13104-L067-0000	PISTON RING 2	1
9	13120-L067-0000	OIL RING ASSY	1
10	1310A-L067-0000	PISTON RING COMP	1
11	91401-L067-0000	CHECK RING, PISTON PIN	2
12	13102-LA51-0000	PIN PISTON	1
13	13101-MA95-0000	PISTON	1
14	91106-I008-0000	BOLT M10x36	1

## KRUSHER 250CC

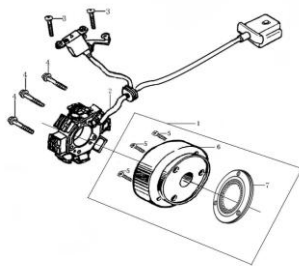


NO.	PART CODE	DESCRIPTION	QTY
1	93301-61521025000	WASHER 15.2x1x25	1
2	23222-LA73-0002	GEAR M-2	1
3	23222-LA73-0005	GEAR M-5	1
4	23223-I006-0000	WASHER	3
5	91402-D002-0100	CIRCLI $\phi 18.5 \times 1.2 \times \phi 22.1$	3
6	23222-LA73-0004	GEAR M-4	1
7	23222-LA73-0003	GEAR M-3	1
8	23221-LA73-0000	TRANSMISSION MAIN SHAFT	1
9	93301-62020527000	WASHER 20.2x0.5x27	1
10	23231-I008-0000	FINAL SHAFT	1
11	93301-61521030000	WASHER 15.2x1x30	1
12	23248-I008-0000	GEAR	1
13	23203-I008-0003	GEAR BUSH	1
14	93301-51650524000	WASHER 16.5x0.5x24	2
15	23242-LA73-0001	GEAR C-1	1
16	23203-I006-0001	GEAR BUSH	1
17	23242-LA73-0003	GEAR C-3	1
18	23242-LA73-0004	GEAR C-4	1
19	23241-I008-0000	TRANSMISSION COUNTER SHAFT	1
20	23242-LA73-0005	GEAR C-5	1
21	23242-LA73-0002	GEAR C-2	1
22	93301-52001027000	WASHER 20x1x27	1
23	23401-I008-0008	DRIVE SPROCKET	1
24	23402-I006-0000	FIXING PLATE,DRIVE SPROCKET	1
25	B057830006001070B	BOLT M6x10	2
26	93301-51211018000	WASHER 12.1x1x18	1
27	B0089401160000000	CIRCLIP 16	1
28	2112B-I008-0000	GUIDE PLATE ASS.	1
29	21119-I008-0000	SPRING, KICK STARTING RATCHET WHEEL	1
30	93301-51611024000	WASHER 16.1x1x24	1
31	21118-I008-0000	STARTING RATCHET	1
32	91402-I008-0000	CIRCLI $\phi 18.5 \times 1.2 \times \phi 22.4$	1
33	93301-62000527000	WASHER 20x0.5x27	1
34	21117-I008-0000	GEAR, KICK STARTER	1
35	21107-I008-0001	PIVOT, KICK STARTING SHAFT	1
36	21104-I008-0000	SEAT, SPRING, KICK STARTING SHAFT	1
37	21106-I008-0000	RETURN SPRING, KICK STARTING SHAFT	1
38	21111-I008-0000	COLLAPSIBLE	1
39	93301-51611030000	WASHER 16.1x1x30	1
40	23220-LA73-0000	MAIN SHAFT, TRANSMISSION	1
41	23240-LA73-0000	COUTERSHAFT TRANSMISSION	1
42	23200-LA73-0100	TRANSMISSION MAIN, COUNTER SHAFT	1
43	21100-I008-0202	KICK STARTING SHAFT ASSEMBLY	1
44	21200-I008-0009	START-UP BAR COMP	1



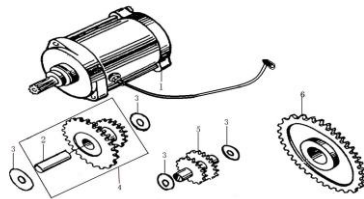
变速机构 GEARSHIFT MECHANISM

NO.	PART CODE	DESCRIPTION	QTY
1	B0089401120000000	CIRCLIP 12	1
2	24303-I006-0000	SPRING, GEARSHIFT PLATE	1
3	24319-I008-0000	GEARSHIFT PLATE	1
4	24301-I008-00000C	GEARSHIFT SHAFT COMP	1
5	24302-I008-0000	RETURN SPRING	1
6	93301-51400520000	WASHER 14x0.5x20	2
7	B0089401140000000	CIRCLIP 14	1
8	24300-I008-00010C	GEARSHIFT LEVER COMP	1
9	B057830006002070G	BOLT M6x20	1
10	24400-I008-0016	GEARSHIFT SHAFT	1
11	24107-I006-0000	SHAFT , GEARSHIFT FORK	1
12	24104-I006-0000	RIGHT FORK, COUNTERSHAFT	1
13	24106-I006-0000	CENTER FORK, MAINSHAFT	1
14	24105-I006-0000	LEFT FORK, COUNTERSHAFT	1
15	91126-I008-00000B	BOLT	1
16	B00093000600000000	WASHER φ6	1
17	24202-I008-0600	STOPPING PLATE	1
18	B0011901040100000	PIN 4x10	1
19	24213-LA73-0700	GEARSHIFT DRUM	1
20	24304-I006-0100	SPRING ,LOCATING PLATE	1
21	2434A-I008-0400	LOCATING PLATE ASSY	1
22	91115-I008-00000B	BOLT FIXING PLATE	1
23	88004-JZ02-0000	CONTACT, CEARINDICATION	1
24	88031-I008-310045	GEARSHIFT SWITCH COMP	1
25	9115B-JZ02-0000	SCREW	2



磁电机总成 MAGNETO COMP

NO.	PART CODE	DESCRIPTION	QTY
1	82130-I008-0104	ROTOR ASSY,MAGNETO	1
2	82120-I008-020043	STATOR ASSY,MAGNETO	1
3	B057830005001670B	BOLT M5x16	2
4	B057830005002570B	BOLT M5x25	3
5	91197-I008-00000C	BOLT M8x18	3
6	82130-I008-0101	ROTOR ASSY,MAGNETO	1
7	21300-LA73-0000	ASSEMBLY, OVERRUNNING CLUTCH	1

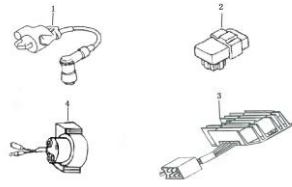


电启动机构  
ELECTRIC STARTING MECHANISM

NO.	PART CODE	DESCRIPTION	QTY
1	82200-MA95-010051	STARTING MOTOR ASSY	1
2	21402-I008-0100	SHAFT,REDUCTION	1
3	93301-51050518000	WASHER 10.5x0.5x18	4
4	2140A-I008-0103	GEAR, REDUCTION, 1	1
5	21401-I008-1100	GEAR, REDUCTION, 2	1
6	2142A-LA73-0000	PLATE GEAR ASSY	1

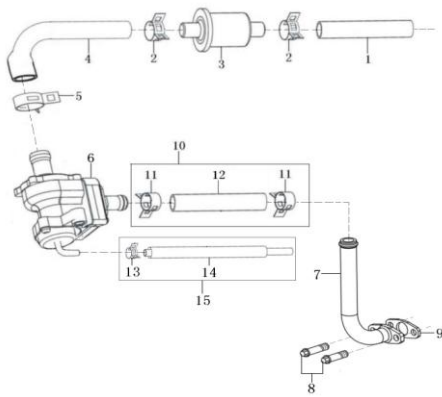


## KRUSHER 250CC



电零件 ELECTRIC

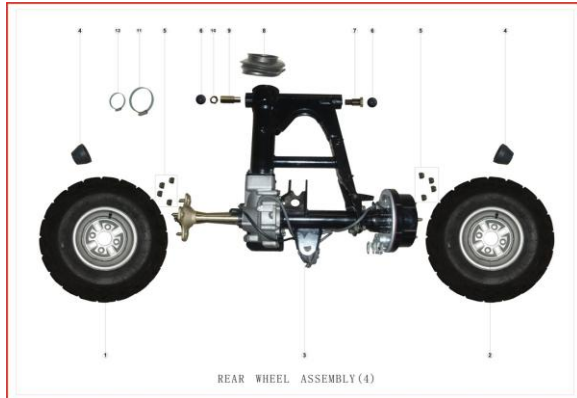
NO.	PART CODE	DESCRIPTION	QTY
1	81100-I008-000050	IGNITION COIL	1
2	81200-I008-0000	C.D.I	1
3	83100-I008-010020	RECTIFIER	1
4	82290-I049-000016	RELAY	1



环保装置  
ENVIRONMENT PROTECT MECHANISM

NO.	PART CODE	DESCRIPTION	QTY
1	16156-I008-0100	CONNECTING PIPE	1
2	16157-I008-0000	HOOP	2
3	16160-I008-0000	SEC.AIR BOX VALVE	1
4	16156-I008-0000	CONNECTING PIPE	1
5	16157-I008-0100	HOOP	1
6	18090-J034-0001	GAS PUMP	1
7	1809B-LA66-0000	IRON PIPE	1
8	B166740A06001670X	BOLT M6x16	2
9	90268-DA80-0000	PAPER GASKET	1
10	18110-LA66-0000	RUBBER PIPE	1
11	18097-I008-0000	CLAMP	2
12	18092-LA66-0000	RUBBER PIPE	1
13	18097-I008-0100	CLAMP	1
14	18092-I008-0103	RUBBER PIPE	1
15	18110-I008-0103	RUBBER PIPE	1

## KRUSHER 250CC

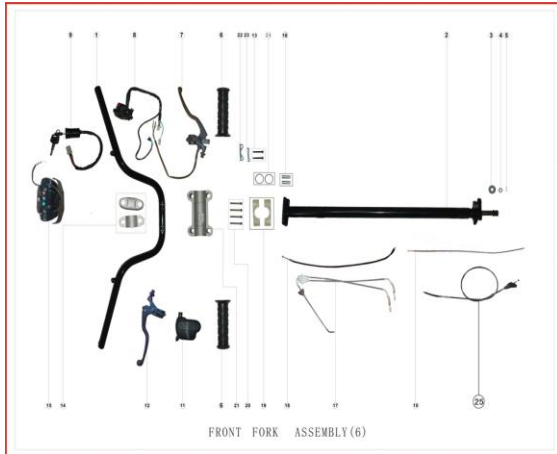


NO.	PART NO.	DESCRIPTION	QTY
1	408000-007	REAR TYRE	2
2	405000-012	REAR TYRE HUB	2
3	243000-032	REAR AXLE ASSY	1
4	904206-002	DUSTPROOF RUBBER BOOT	2
5	906213-001	NUT, TYREM10x1.25	8
6	523002-002	FORK DUSTPROOF CAP	2
7	243053-001	LINKER BOLT	1
8	162003-002	CLIP, TUBE	1
9	243051-001	LINKER BOLT	1
10	243052-001	NUT	1
11	162003-002	CLIP, TUBE	1
12	162003-002	CLIP, TUBE	1



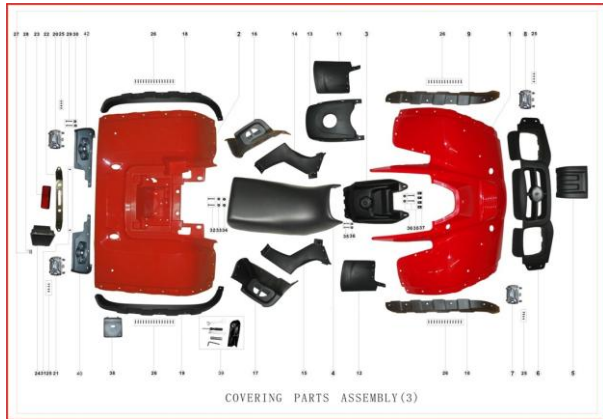
NO.	PART NO.	DESCRIPTION	QTY
1	404000-007	FRONT TYRE	2
2	401000-006	FRONT TYRE HUB	2
3	425000-001	LFET BRAKE FRONT	1
4	423100-001	FRONT HUB COVERV	2
5	GB5787-2000	BOLTM8x16	8
6	430500-011	ROD ASSY	2
7	505000-006	STEERING PARTS	2
8	904206-002	DUSTPROOF RUBBER BOOT	2
9	906213-001	CONE SCREW M10x1.25	8
10	906152-008	PLAT WASHER 14mm	2
11	GB6178-1986	OPEN NUT M14 X 1.5	2
12	GB91-2000	PIN COTTER 3x35	2
13	426000-001	RIGHT BRAKE FRONT	1

## KRUSHER 250CC



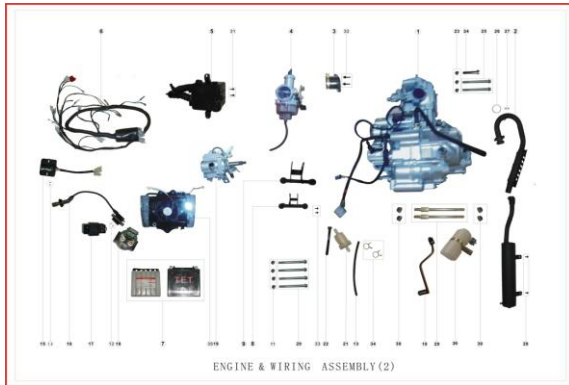
NO.	PART NO.	DESCRIPTION	QTY
1	600001-005	HANDLE BAR	1
2	503300-021	STEERING STEM	1
3	GB97.1-2002	PAD	1
4	906108-005	NUTM8	1
5	906171-004	PIN CUTTER	1
6	904303-001	LEFT LEVER	1
7	372100-005	LEFT HANDL COMP	1
8	371100-008	LEFT HANDLEBAR SWITCH	1
9	360100-001	IGNITION SWITCH LOCK	1
10	610000-019	WIND-RESISTED CABLE	1
11	600201-001	THROTTLE ASSY	1
12	372200-006	RIGHT HANDL LEVER	1
13	GB5787-2000	BOLT M8x60	2
14	503001-002	CLIP. HANDLE BAR	2
15	600005-130	COVER HANDLE BAR	1
16	503302-001	BUSH,STEERING ROD CLIP	2
17	605000-021	FRONT BRAKE CABLE	1
18	607000-005	CABLE. THROTTLE	1
19	503002-001	STEERING STEM CLIP WASHER	2
20	GB5787-2000	BOLT M8x50	4
21	503200-003	HELEE.HANDLE UNDER	1
22	503306-002	WIRE CLIP OF STEERING STEM	1
23	503301-003	STEERING ROD CLIP	1
24	503309-001	GASKET. HANDLE BAR CLIP	2
25	606000-009	CABLE CLUTCH	1

## KRUSHER 250CC



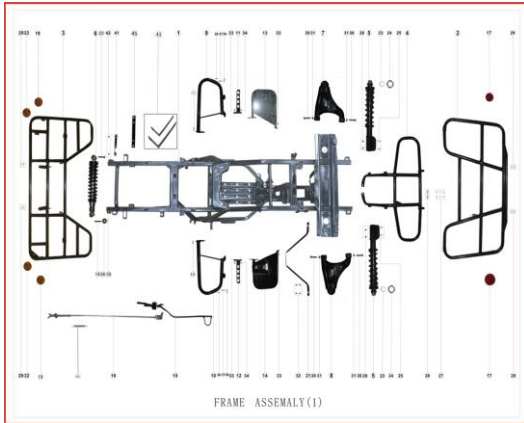
NO.	PART NO.	DESCRIPTION	QTY
1	804100-025	FRONT FENDER	1
2	805100-043	REAR FENDER	1
3	801000-003	FUEL TANK ASSY	1
4	701000-013	SEAT CUSHION	1
5	512200-001	FRONT PRDAL, FRONTBUMPER	1
6	810100-001	COVER,HEAD LIGHT	1
7	331000-013	HEADL IGH	1
8	331000-013	HEADL IGH	1
9	804710-001	RRONT LEFT COVER	1
10	804810-001	RRONT RIGHT COVER	1
11	804702-001	FRONT-LEFT DOWN COVER	1
12	804802-003	FRONT-RIGHT DOWN COVER	1
13	801200-008	REAR COVER,FUEL TANK	1
14	800100-001	.LEFT DECO COVER FUEL TANK	1
15	800200-001	RIGHT DECO COVER FUEL TANK	1
16	531100-003	LEFT FOOTREST PEDAL	1
17	531100-006	RIGHT FOOTREST PEDAL	1
18	805801-001	PROTECT PLATE, LEFT-REAR FENDER	1
19	805804-001	PROTECT PLATE, RIGHT-REAR FENDE	1
20	332000-007	REAR LAMP ASSY	1
21	332000-007	REAR LAMP ASSY	1
22	723200-001	COWER REAR BOX	1
23	306400-007	REFLECTOR	1
24	725001-002	TOOL BOX BODY	1
25	GB5787-2000	BOLT M6x16	8
26	905516-001	PLASTIC INFLATION SCREW	60
27	723200-001	COVER REAR BOX	2
28	GB91-2000	PIN COTTER 1.5x20	2
29	GB5787-2000	BOLT M6x16	2
30	GB6177-2000	NUT M6	2
31	GB65787-2000	BOLT M8x16	2
32	GB5787-2000	BOLT M8x16	2
33	GB97.1-2002	WASHER	2
34	904229-001	PAD	2
35	GB5787-2000	BOLT M6x40	4
36	904229-001	PAD	4
37	906181-002	CLIP, NUT	4
38	725002-001	TOOL BOX COVER	1
39	903200-002	TOOLS	1
40	805802-001	REAR PLATE,RIGHT-REAR FENDER	1
42	805803-001	REAR PLATE,LEFT-REAR FENDER	1

## KRUSHER 250CC



NO.	PART NO.	DESCRIPTION	QTY
1	110000-091	MOTOR ASSY	1
2	181000-021	MUFFLER ASSY	1
3	100004-008	INTAKE TUBE	1
4	161000-006	CARBURETOR ASSY	1
5	171000-014	AIR FILTER	1
6	307000-087	MAIN CABLE COMP	1
7	303100-001	BATTERY ASSY	1
8	511400-001	SOFT HANGING	1
9	511400-002	SOFT HANGING	1
10	211000-006	SHIFTING PEDAL	1
11	GB6187-2000	NUT M10	4
12	GB818	BOLT M5x16	2
13	162002-023	WATER TUBE	1
14	GB5787-2000	BOLT M6x20	2
15	302000-007	REGULATOR	1
16	304000-001	IGNITION COIL	1
17	305000-012	CDI	1
18	301000-002	START RELAY	1
19	252400-001	REVERSE CONTROL	1
20	GB5787-2000	BOLT M10x80	4
21	160100-001	FUEL AIR FILTER	1
22	904101-004	BAND	10
23	GB6187-2000	NUT M8	3
24	GB5787-2000	BOLT M8x16	1
25	GB5787-2000	BOLT M8x55	2
26	181001-002	GASKET EXHUAST PIPE	1
27	GB6177-2000	NUT M8	2
28	GB5787-2000	BOLT M8x16	2
29	902003-002	DOUBLE-ENDED AXLE M10x161	2
30	GB6187-2000	NUT M10	2
31	GB5787-2000	BOLT M6x16	2
32	GB5783-2000	BOLT M6x25	2
33	GB5787-2000	BOLT M8x16	2
34	906201-005	STEEL WIRE NIP	2
35	152000-003	WATER COLLING ASSY	1
36	152400-002	VICE WATER TANK	1

## KRUSHER 250CC



NO.	PART NO.	DESCRIPTION	QTY
1	511000-179	FRAME ASSY	1
2	711000-001	FRONT CARRIER	1
3	713100-001	REAR CARRIER	1
4	512100-040	BUMPER	1
5	501300-025	FRONT SHOCK ABSORBER	2
6	540300-020	REAR SHOCK ABSORBER	1
7	507100-003	LEFT SWING ARM	1
8	507200-003	RIGHT SWING ARM	1
9	536003-003	LEFT FOOTREST SUPPORT	1
10	536004-003	RIGHT FOOTREST SUPPORT	1
11	536200-004	LEFT PEDAL	1
12	536300-004	RIGHT PEDAL	1
13	531100-003	LEFT FOOTREST PEDAL	1
14	532100-003	RIGHT FOOTREST PEDAL	1
15	430400-037	REAR BRAKE PEDAL	1
16	430000-002	REAR BRAKE RESET SPRING	1
17	306100-001	REFLECTOR,FRONT	2
18	540004-001	PIN REAR SHOCK ABSORBER	1
19	306100-001	REFLECTOR,FRONT	2
20	GB5787-2000	BOLT M12x1.25x50	1
21	804004-003	SUPPORT FRONT FENDER	1
22	306400-002	REFLECTOR	2
23	GB894.1-1986	SPRING WASHER. SHAFTφ32	2
24	GB8894.1	CONE SLOT OF OPEN NON-STANDARD	2
25	GB5787-2000	BOLT M12x1.25x50	4
26	GB6187-2000	NUT M12x1.25	4
27	GB5787-2000	BOLT M8x16	6
28	GB5787-2000	BOLT M8x16	2
29	GB5787-2000	BOLT M8x16	8
30	GB5787-2000	BOLT M10x70	4
31	GB6187-2000	NUT M10	4
32	GB5787-2000	BOLT M8x16	4
33	GB5787-2000	BOLT M10x1.5x25	4
34	GB5787-2000	BOLT M10x1.25x50	2
35	GB/T91-2000	PIN CUTTER2.5x30	1
36	GB/T 97.1-2002	WASHER φ12	1
37	GB5787-2000	BOLT M8x16	2
38	GB5787-2000	BOLT M8x16	2
39	GB6187-2000	NUT M8	4
40	GB5787-2000	BOLT M8x16	2
41	805004-002	SUPPORT LICENSE PLATE	1
42	GB5787-2000	BOLT M6x16	2
43	332200-002	SUPPORT,REAR LAMP	2
44	430001-001	REAR BRAKE RESET SPRING	1
45	303200-001	BATTERY SUPPORT	1