


NO.	PART NO.	DESCRIPTION	QTY
			

ENGINE ASSY.			
NO.	PART NO.	DESCRIPTION	QTY
1	2100307001520	ZONGSHEN CB ENGINE ASSY.	1
			

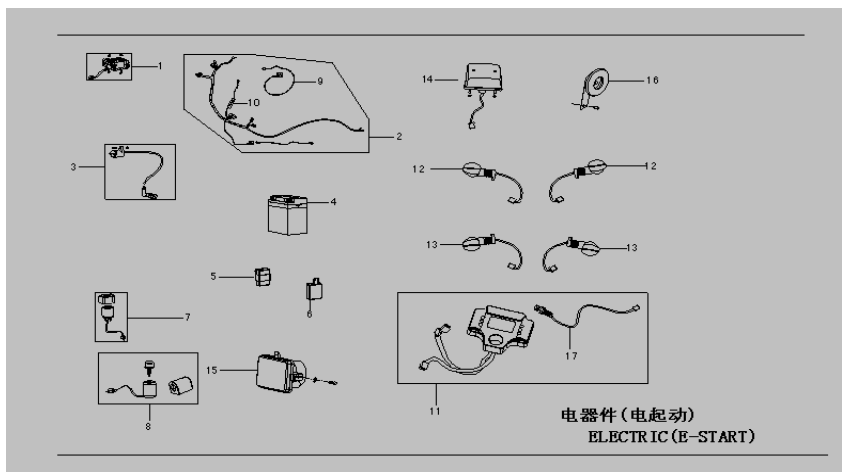
CARBURETOR

NO.	PART NO.	DESCRIPTION	QTY
1	1400300060001	CARBURETOR	1

化油器
CARBURETOR

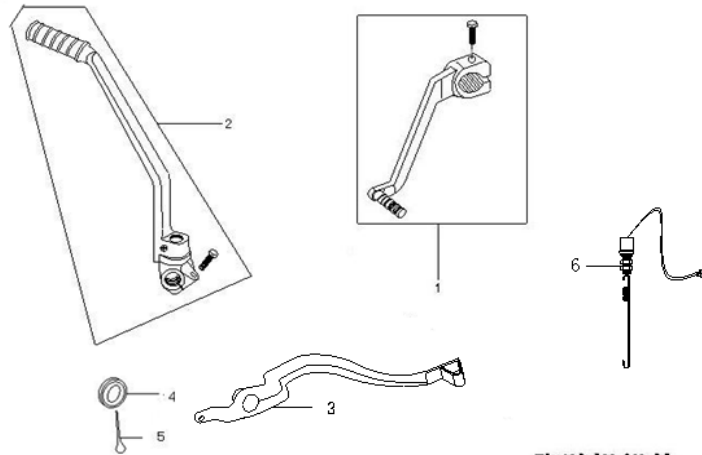
ELECTRIC (E-START)

NO.	PART NO.	DESCRIPTION	QTY
1	1100300050010	RECTIFIER RAQUALTOR(WATERPROOF TERMINAL)	1
2	1100805140001	HARNESS(WATERPROOF TERMINAL)	1
3	1100100020010	COIL ASSY, IGNITION	1
4	1100600030010	BATTERY	1
6	1100400020010	CDI ASSY.	1
6	1101709020001	TURN SIGNAL RELAY	1
7	1100200010010	STANTER SOLENOID	1
8	1101707050001	IGNITION KEY AND STEERING LOCK(WATERPROOF	1
9	1100806020001	CABLE,BATTERY	1
10	1100807010001	FUSE ASSY.	1
11	1101705240001	METER(WATERPROOF TERMINAL)	1
12	1101702020101	TURN SIGNAL .FRONT	2
13	1101703020101	TURN SIGNAL .REAR	2
14	1101704010101	TAIL LIGHT	1
15	1101701020001	HEAD LIGHT	1
16	1101708030001	HORN	1
17	1101712030001	SPEED SENSOR	1



PEDAL CONTROLLER

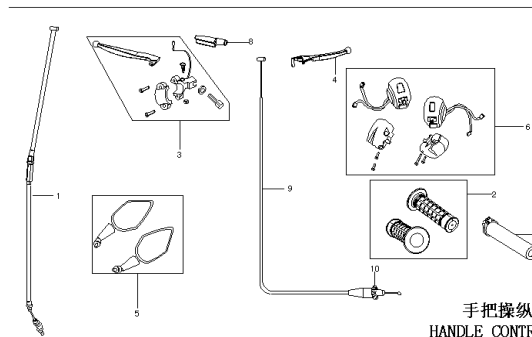
NO.	PART NO.	DESCRIPTION	QTY
1	2020702010201	SHIFT PEDAL	1
2	2020701010101	KICK STARTER	1
3	0701900140410	REAR.BRAKE PEDAL	1
4	0820301011501	SPRING WASHER	1
5	0801901020101	SPLIT PIN	1
6	1101720020001	SWITCH OF REAR BRAKE	1



**脚踏操纵件
PEDAL CONTROLLER**

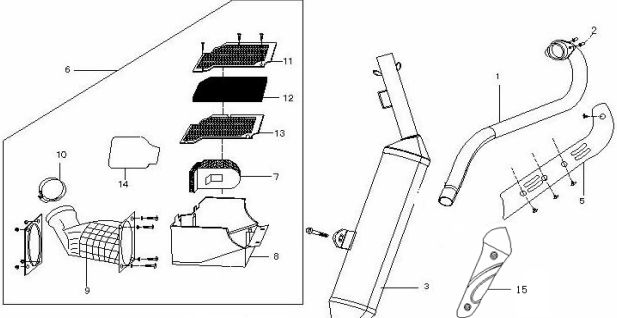
HANDLE CONTROLLER

NO.	PART NO.	DESCRIPTION	QTY
1	1401000310001	CABLE ASSY, CLUTCH	1
2	0900100080010	GRIP ASSY.	1
3	0100600060510	CLUTCH LEVER ASSY.	1
4	0101200040510	FR.MASTER CYLINDER ASSY.	1
5	1400301030001	REARVIEW MIRROR	1 PAIR
6	1101706010001	LT CONTROLLER	1 PAIR
7	0900103020008	INNER CORE	1
8	0900400010010	DUST COVER,CLUTCH CABLE	1
9	1400900320001	THROTTLE CABLE	1
8	0500800010501	ADJUST NUT,THROTTLE CABLE	1



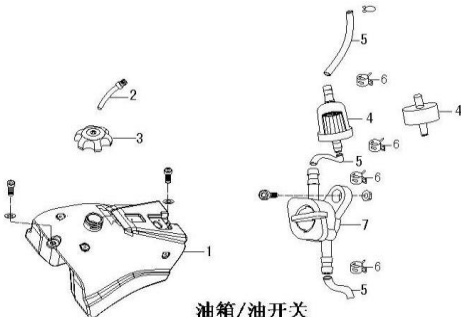
**手把操纵件
HANDLE CONTROLLER**

AIR FILTER/MUFFLER			
NO.	PART NO.	DESCRIPTION	QTY
1	1401801190111	EXHAUSE PIPE	1
2	0800501041501	NUT	2
3	1.4018E+12	REAR EXHAUST PIPE	1
5	1401910080001	EXHAUST SHIELD	1
6	310201	AIR FILTER ASSY.	1
7	1400503010001	ELEMENT	1
8	1003500010010	CASE, AIR FILTER	1
9	0901801020010	AIR INTAKE HOUSING	1
10	1400501041401	HOOP	1
11	1400505010010	UPPER SPONGE CLAPBOARD	1
12	1400502010001	SPONGE	1
13	1400505020010	DOWN SPONGE CLAPBOARD	1
14	1400505030010	AIR FILTER PARTITION	1
15	1004500010010	MUFFLER PROTECT COVER	1



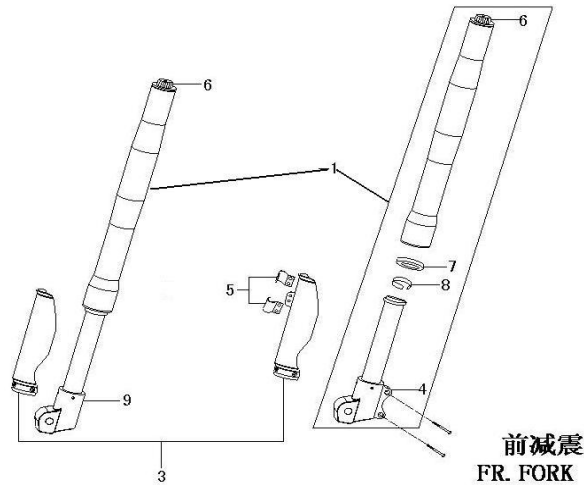
空滤器/排气消声器
AIR FILTER/MUFFLER

FUEL TANK/FUEL COCK			
NO.	PART NO.	DESCRIPTION	QTY
1	1001000190010	FUEL TANK	1
2	1400600060001	FUEL CAP BREATHER HOSE	1
3	0100900020501	FUEL CAP (PLASTIC)	1
4	0501000010502	CNC FUEL FILTER	1
5	0901000040010	FUEL HOSE	1
6	0704500070107	HOSE CLAMP	5
7	1400400040001	PET-COCK	1

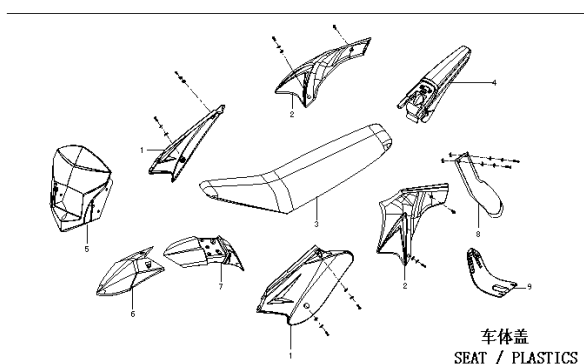


油箱/油开关
FUEL TANK/FUEL COCK

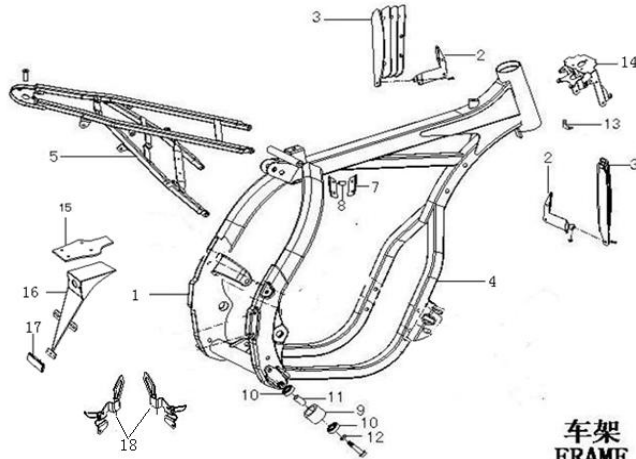
FR.DAMPER			
NO.	PART NO.	DESCRIPTION	QTY
1	1401200460010	ASSY FR.FORK.L. NADJUSTABLE	1
3	1000600080010	FORK PROTECTIVE COVER	1
4	1401208060010	L.ALUMINIUM TIP OF FRONT SHOCK	1
5	0500201010501	FRONT BRAKE HOSE RETAINERS	2
6	1401205020002	ADJUST NUT,FORK	1 PAIR
7	1806101010010	OIL SEAL	1
7	1806101100010	OIL SEAL	1
8	1401210010010	RING, STEEL	1
9	1401209060010	TIP OF FR.FORK.R	1



SEAT / PLASTICS			
NO.	PART NO.	DESCRIPTION	QTY
1	1000200100010	FRONT SIDE COVER	1 PAIR
2	1000300090010	REAR SIDE COVER	1 PAIR
3	1001200150010	SEAT	1
4	1000800090010	REAR FENDER	1
5	1000901040010	PROTECT, FT LIGHT	1
6	1001501090010	FRONT FENDER. RRONT PART	1
7	1001501070010	FRONT FENDER. REAR PART	1
8	1001700010014	REAR MUD FLAP	1
9	1000909010010	ENGINE PLATE(PLASTIC)	1
14	1002700220021	Stickers(whole set)	1 set



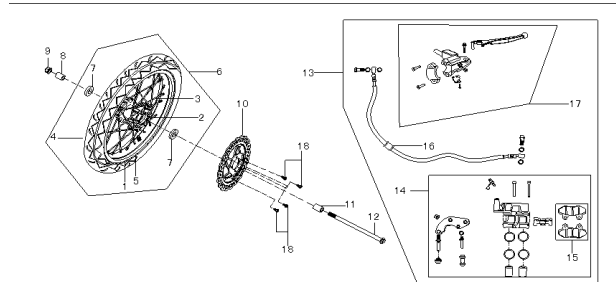
FRAME			
NO.	PART NO.	DESCRIPTION	QTY
1	0700100380410	FRAME	1
2	0702900060410	NRACKET OF AIR DEFLECTORS	1 PAIR
3	1001400060008	AIR DEFLECTORS	1 PAIR
4	0703300060410	UNDER ENGINE SUPPORT	1
5	0702300180410	SUB-FRAME	1
7	0703600040410	UP BRACKET ENGINE	1 PAIR
8	0710101160107	SPACER	1
9	1401300020010	CHAIN RETAINER	1
10	0803401030101	CHAIN ROLLER BEARING	2
11	0710112010107	SPACER	1
12	0710111050107	SPACER	2
13	0701608020410	BRACKET FOR LIGHT COVER	1
14	0701602020410	BRACKET FOR HEADLIGHT	1
15	0701601030410	BRACKET FOR REAR LIGHT 1 (STEEL)	1
16	1000907030010	BRACKET FOR REAR LIGHT(PLASTIC)	1
17	1003701010002	REAR REFLECTOR	1



车架
FRAME

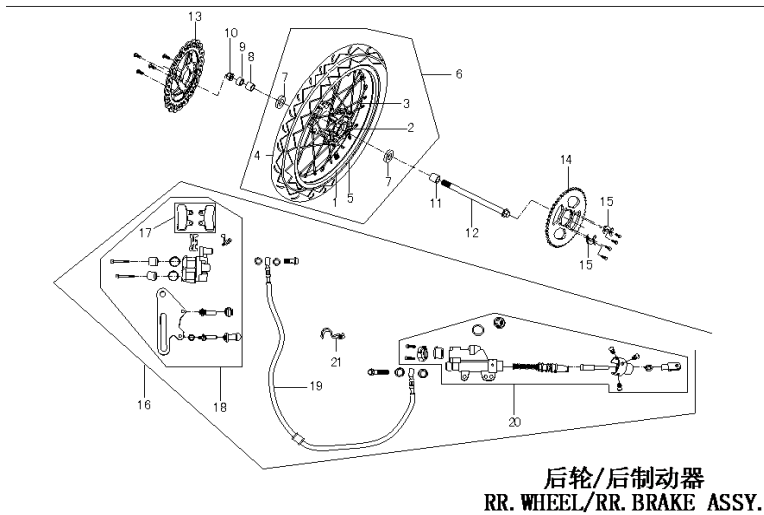
FR.WHEEL/FR.BRAKE ASSY.

NO.	PART NO.	DESCRIPTION	QTY
1	0901201070010	INNER TUBE 110/70-17	1
2	0704814010010	FR.HUB 2.15x17 alloy	1
3	1806204050101	SPOKE, FR.WHEEL	36
4	0901100120010	FR.TIRE 80/100-21	1
5	0901103080010	INNER TUBE PROTECTOR 17"	1
6	1401106010010	FRONT-WHEEL STEEL	1
7	1806205100010	OIL SEAL	1 SET
8	0703904360107	R.SPACER, FR.WHEEL	1
9	0803701040107	NUT M12	1
10	0701301130001	FRONT-BRAKE DISK	1
11	0703904200107	L.SPACER, FR.WHEEL	1
12	0703902140107	AXLE,FR.WHEEL	1
13	1402050120110	FR.DISK BRAKE ASSY.	1
15	1401503030009	FR.BRAKE PAD ASSY	1
16	0901701060010	FR.BRAKE HOSE	1
18	0804101061501	BOLT WITH ALNICO	4

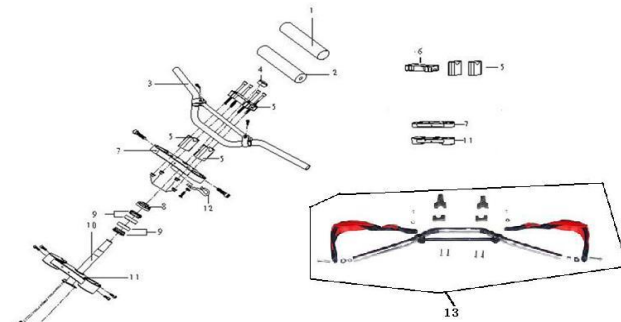


前轮/前碟刹
FR. WHEEL/FR. BRAKE ASSY.

RR.WHEEL/RR. BRAKE ASSY.			
NO.	PART NO.	DESCRIPTION	QTY
1	0901201140010	INNER TUBE 110/70-17	1
2	0704803010010	FR.HUB 2.15x17 STEEL	1
3	1806304040101	SPOKE, FR.WHEEL 17"	32
4	0901200100010	FR.TIRE 110/70-17	1
5	0901103060010	INNER TUBE PROTECTOR 17"	1
6	1401709010010	REAR-WHEEL STEEL	1
7	1806209010010	OIL SEAL	1 SET
8	0704000950107	SPACER	1
9	0704000900107	SPACER	1
10	0803701080107	NUT M14	1
11	0704000880107	L.SPACER, RR.WHEEL	1
12	0703903180107	RR.AXLE	1
13	0701302130001	REAR-DISC	1
14	0701800190101	REAR SPROCKET	1
15	0704300020001	BOLT LOCK PLATE	2
16	1401502160110	REAR BRAKE ASSY.	1
17	1401503050009	RR.BRAKE PAD SET	1
18	1402902030001	RR .CA;IPER ASSY.	1
19	0901702060010	RR .BRAKE HOSE	1
20	1402903130001	RR MASTER CYLINDER ASSY	1
21	0500300010501	VITTA CLIP WEDGE	1

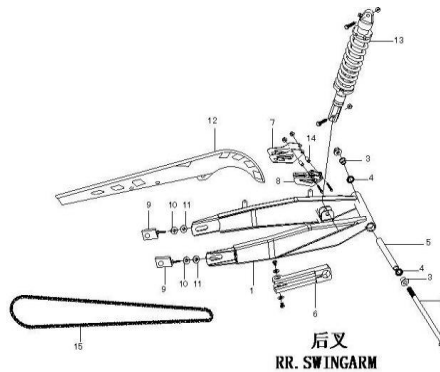


HANDLE BAR/STEERING STEM			
NO.	PART NO.	DESCRIPTION	QTY
1	1002016050003	CROSS BAR COVER	1
2	1500500100001	CROSS BAR FOAM	1
3	0700900060410	HANDLE BAR STEEL	1
4	0701200010201	NUT STEERING UPPER M22	1
5	0100401030810	RISER CLAMP UPPER	1 set
6	0100402030810	RISER CLAMP UPPER	1 set
7	0100701040810	UPPER TRIPLE CLAMP	1
8	0701100020101	STEERING STEM LOCK NUT	1
9	0803501010101	BEARING 32005	2
10	0701000100107	STEERING STEM ASSY	1
11	0100702040810	LOWER TRIPLE CLAMP	1
12	1000901010010	FRONT BRAKE HOSE RETAINER	1



方向把/方向柱
HANDLE BAR/STEERING

RR.SWINGARM			
NO.	PART NO.	DESCRIPTION	QTY
1	0700200190410	REAR SWING ARM COMP	1
2	0703901220107	REAR SWING ARM BOLT	1
3	0703800080107	STEP BUSH	2
4	0803301040101	NEEDLE BEARING HK2016	2
5	0710105030107	SPACER	1
6	0900500030010	CHAIN SLIDE	1
7	1401400030410	CHAIN GUIDE-BRACKET	1
8	1000700030010	CHAIN-GUIDE	1
9	0501800030501	CHAIN TENSIONER	2
10	0820204011501	SPRING WASHER	2
11	0820110011501	WASHER $\Phi 6 \times \Phi 16 \times 2$	2
12	1002300040010	CHAIN COVER	1
13	1401203840017	REAR SHOCK	1
14	0710109040107	SPACER $\Phi 7 \times \Phi 12 \times 33$	2
15	0701700280001	KMC CHAIN 530 \times 98	1



FOOT PEGS / SIDE STAND			
NO.	PART NO.	DESCRIPTION	QTY
1	0701610040410	SIDE STAND FOR DOUBLE SPQING	1
2	0804401051501	SIDE STAND BOLT (FOR DOUBLE SPRING)	1
3	0803203020101	DOUBLE SPRING,SIDE STAND (OUTSIDE)	1
4	0400100050410	FOOT PEGS	1 PAIR
5	0802901040101	SPRING,FOOT PEGS	1 PAIR
6	0300100040410	FOOT PEG - BRACKET (FOR DOUBLE SPRING)	1 PAIR
8	0704400020410	BRACKET SUPPORT	2
9	0400101010410	SPRING CLIP	1
10	0803203030101	DOUBLE SPRING,SIDE STAND (INSIDE)	1

